

Intermediate Children's Bible Lesson #1

The Sanctuary Court Pillars and Hanging

Thy way, O God, is in the sanctuary: who is so great a God as our God? Psalm 77:13



Memory verse:

Exodus 25:8 And let them make me a sanctuary; that I may dwell among them.

I studied my lesson.



Bible Reading-Exodus 27:9-18

Ex 27:9 And thou shalt make the court of the tabernacle: for the south side southward there shall be hangings for the court of fine twined linen of an hundred cubits long for one side:

Ex 27:10 And the twenty pillars thereof and their twenty sockets shall be of brass; the hooks of the pillars and their fillets shall be of silver.

Ex 27:11 And likewise for the north side in length there shall be hangings of an hundred cubits long, and his twenty pillars and their twenty sockets of brass; the hooks of the pillars and their fillets of silver.

Ex 27:12 And for the breadth of the court on the west side shall be hangings of fifty cubits: their pillars ten, and their sockets ten.

Ex 27:13 And the breadth of the court on the east side eastward shall be fifty cubits.

Ex 27:14 The hangings of one side of the gate shall be fifteen cubits: their pillars three, and their sockets three.

Ex 27:15 And on the other side shall be hangings fifteen cubits: their pillars three, and their sockets three.

Ex 27:16 And for the gate of the court shall be an hanging of twenty cubits, of blue, and purple, and scarlet, and fine twined linen, wrought with needlework: and their pillars shall be four, and their sockets four.

Ex 27:17 All the pillars round about the court shall be filleted with silver; their hooks shall be of silver, and their sockets of brass.

Exo 27:18 The length of the court shall be an hundred cubits, and the breadth fifty every where, and the height five cubits of fine twined linen, and their sockets of brass.

God wanted the people to make a sanctuary so he could _____.

There were _____ pillars around the courtyard.

The pillars were made of _____.

The sockets were made of _____.

The hooks were made of _____.

The chapters were made of _____.

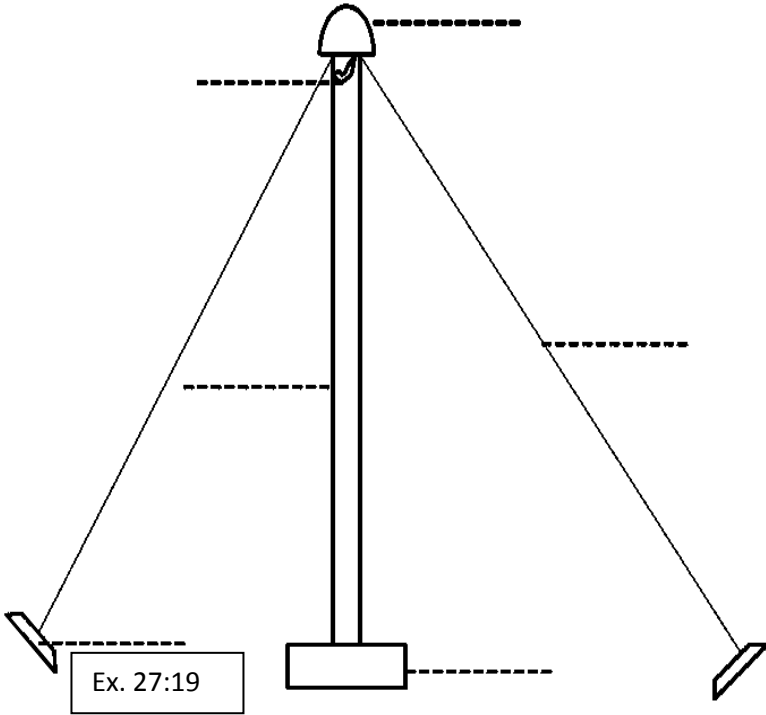
Exodus 38:17

The hanging or curtain was made of _____.

It was _____ in color.

It reminds of _____ because he was without _____.
Isaiah 1:18, Hebrews 4:15

Color the pillar for the courtyard correctly following the biblical description.



Memory verse for next week: John 14:6 Jesus saith unto him, I am the way, the truth, and the life: no man cometh unto the Father, but by me.

Study verses for next week: Exodus 27:16, John 10:1-10
The sanctuary courtyard-gate

Produced by biblepicturepathways.com May be reproduced for educational use.
Not to be copied for commercial gain.